

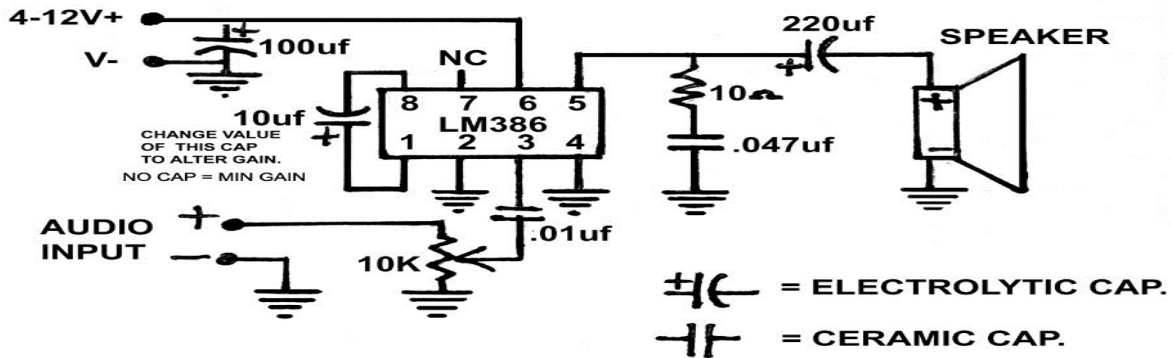
## HAM hands on training on FM receiver

On 21.05.2016, a hands on training was organized by the Telecommunication department on 'FM/AM Receiver'. The one day training was conducted by three eminent individuals who are licensed HAM radio operators.

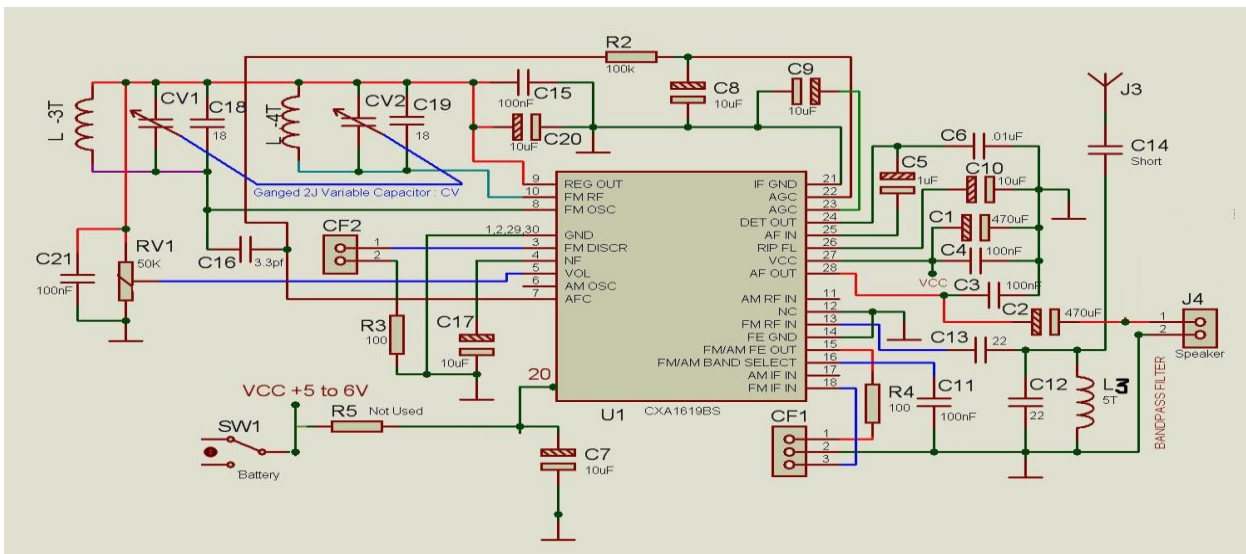
Mr.Madhu Prasad, Head of Corporate affairs, SAB Miller, Mr.Rakesh(1BM07TE045), and Mr.Ganguly briefed about building FM Receiver Based on CXA 1619 one chip FM/AM radio IC. It supports various functions like RF amplifier, Mixer and OSC(incorporating AFC variable capacitor), IF amplifier, Quadrature detection, Tuning LED driver ,AM section, RF amplifier, Mixer and OSC (with RF AGC), IF amplifier (with IF AGC), Detector, Tuning LED driver,AF section, Electronic volume control.

During this training, all participants were provided with the circuit details along with the components and PCB designed board to rig up the circuit. During first half of the session students built audio amplifier using LM386.

### LM386 AUDIO AMPLIFIER



During second half of the session students built FM receiver and cascaded with built audio amplifier to receive real time FM signal at various frequencies.





#### OUTCOMES

- (i) The training gave main aspects of FM/AM Receiver.
- (ii) The training gave confidence in design and analysis of receivers.
- (iii) This hands on training encouraged students to build their own FM receivers and listen to real time signal of Various stations(different frequencies)..

Participant's statistics:

Number of students: 17

Number of faculty: 2